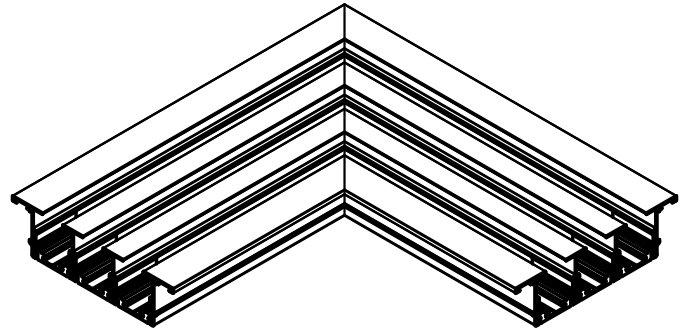
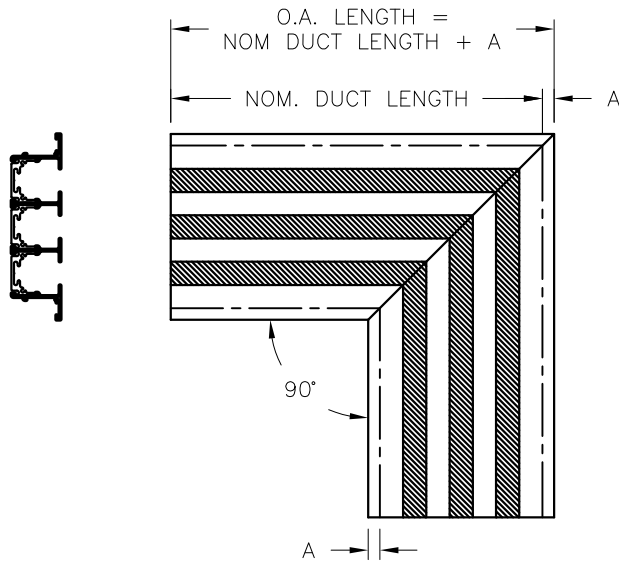


**MC-SDS MITRED CORNERS FOR SDS / SDR**

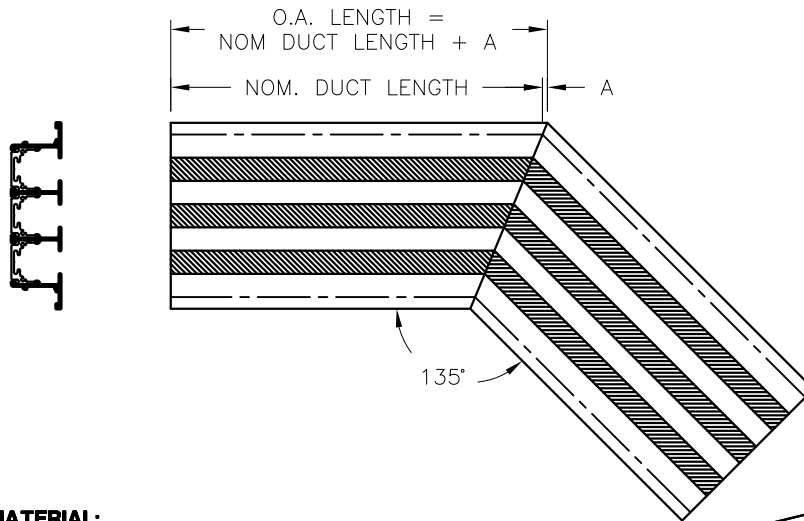
□ **MC90** - 90° MITRED CORNER



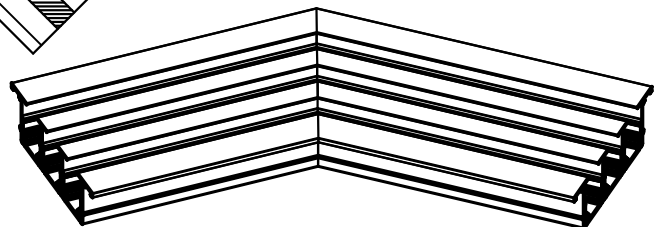
MC90 - 90° MITRED CORNER  
(SDS75, 3 SLOT, TYPE 2 SHOWN)

MODEL	SLOT QTY.	NOM. DUCT LENGTH
SDS50 / SDR50	1-5 SLOT	12" (305)
	6-10 SLOT	24" (610)
SDS75 / SDR75	1-5 SLOT	12" (305)
	6-10 SLOT	24" (610)
SDS100 / SDR100	1-5 SLOT	12" (305)
	6-10 SLOT	24" (610)
SDS150 / SDR150	1-5 SLOT	18" (457)
	6-10 SLOT	30" (762)

□ **MC135** - 135° MITRED CORNER



FRAME TYPE	A	
	MC90	MC135
1, 1B	1 7/32" (13)	7/32" (6)
2	3/8" (10)	5/32" (4)
8, 8A	5/8" (16)	1/4" (7)
9A	5/16" (8)	1/8" (3)
9B, 14	7/16" (11)	3/16" (5)
17	3/16" (5)	3/32" (2)



MC135 - 135° MITRED CORNER  
(SDS75, 3 SLOT, TYPE 2 SHOWN)

**MATERIAL:**

- EXTRUDED ALUMINUM FRAME

**NOTES:**

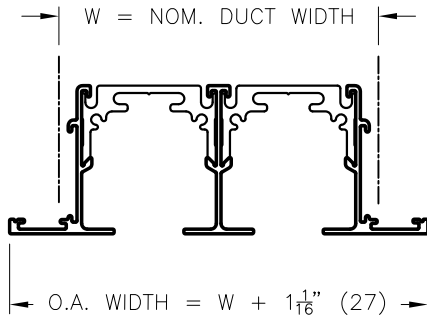
- MC90 AND MC135 MITRED CORNER ASSEMBLIES ARE AVAILABLE ON SDS / SDR FRAME TYPES 1, 1B, 2, 8, 8A, 9A, 9B, 14, 17
- SDS MITRED CORNER SECTIONS ARE INACTIVE
- FACTORY TOLERANCE ± 1/32" (1)

ALL METRIC DIMENSIONS ( ) ARE SOFT CONVERTED. IMPERIAL DIMENSIONS ARE CONVERTED TO METRIC AND ROUNDED TO THE NEAREST MILLIMETER.

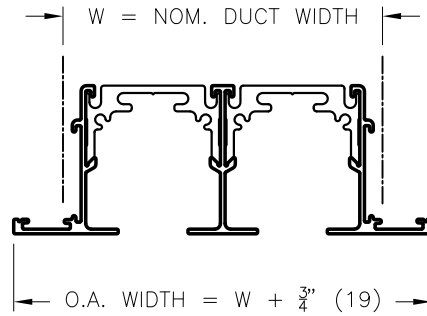
<b>PROJECT:</b>		<b>PRICE®</b>	
<b>ENGINEER:</b>		<i>MJ</i>	<b>MC-SDS</b> MITRED CORNER ASSEMBLY MC90, MC135 FOR SDS/SDR DIFFUSERS
<b>CUSTOMER:</b>		222056	
<b>SUBMITTAL DATE:</b>	<b>SPEC. SYMBOL:</b>	2016/06/30	

**MC-SDS MITRED CORNERS FOR SDS / SDR**

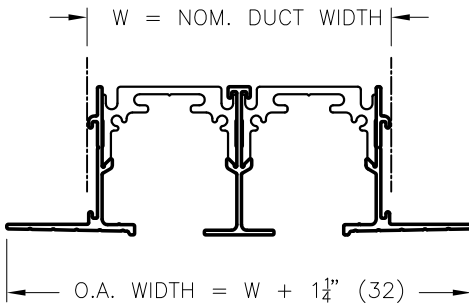
□ TYPE 1, 1B



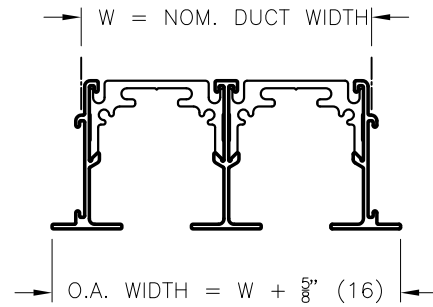
□ TYPE 2



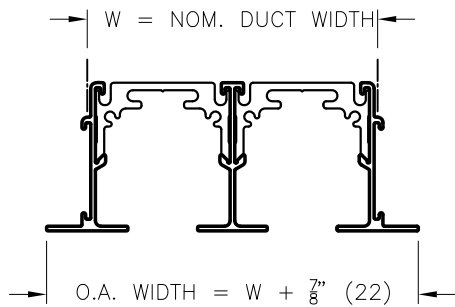
□ TYPE 8, 8A



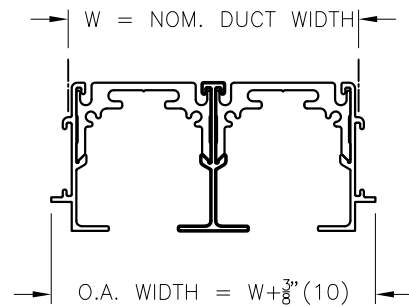
□ TYPE 9A



□ TYPE 9B, 14



□ TYPE 17



ALL METRIC DIMENSIONS ( ) ARE SOFT CONVERTED. IMPERIAL DIMENSIONS ARE CONVERTED TO METRIC AND ROUNDED TO THE NEAREST MILLIMETER.

<b>PROJECT:</b>		<b>PRICE®</b>	
<b>ENGINEER:</b>		<i>MJ</i> 222056	<b>MC-SDS</b> MITRED CORNER ASSEMBLY MC90, MC135 FOR SDS/SDR DIFFUSERS
<b>CUSTOMER:</b>			
<b>SUBMITTAL DATE:</b>	<b>SPEC. SYMBOL:</b>	2016/06/30	

**MC-SDS MITRED CORNERS FOR SDS / SDR**

**TYPE 1, 1B**

slot quanti	W = Nom. Duct Width			
	SDS50	SDS75	SDS100	SDS150
1	1 11/16" (43)	1 15/16" (49)	2 3/16" (56)	2 11/16" (68)
2	2 15/16" (75)	3 7/16" (87)	3 15/16" (100)	4 15/16" (125)
3	4 3/16" (106)	4 15/16" (125)	5 11/16" (144)	7 3/16" (183)
4	5 7/16" (138)	6 7/16" (164)	7 7/16" (189)	9 7/16" (240)
5	6 11/16" (170)	7 15/16" (202)	9 3/16" (233)	11 11/16" (297)
6	7 15/16" (202)	9 7/16" (240)	10 15/16" (278)	13 15/16" (354)
7	9 3/16" (233)	10 15/16" (278)	12 11/16" (322)	16 3/16" (411)
8	10 7/16" (265)	12 7/16" (316)	14 7/16" (367)	18 7/16" (468)
9	11 11/16" (297)	13 15/16" (354)	16 3/16" (411)	20 11/16" (525)
10	12 15/16" (329)	15 7/16" (392)	17 15/16" (456)	22 15/16" (583)



**TYPE 2, 8, 8A**

slot quanti	W = Nom. Duct Width			
	SDS50	SDS75	SDS100	SDS150
1	2" (51)	2 1/4" (57)	2 1/2" (64)	3" (76)
2	3 1/4" (83)	3 3/4" (95)	4 1/4" (108)	5 1/4" (133)
3	4 1/2" (114)	5 1/4" (133)	6" (152)	7 1/2" (191)
4	5 3/4" (146)	6 3/4" (171)	7 3/4" (197)	9 3/4" (248)
5	7" (178)	8 1/4" (210)	9 1/2" (241)	12" (305)
6	8 1/4" (210)	9 3/4" (248)	11 1/4" (286)	14 1/4" (362)
7	9 1/2" (241)	11 1/4" (286)	13" (330)	16 1/2" (419)
8	10 3/4" (273)	12 3/4" (324)	14 3/4" (375)	18 3/4" (476)
9	12" (305)	14 1/4" (362)	16 1/2" (419)	21" (533)
10	13 1/4" (337)	15 3/4" (400)	18 1/4" (464)	23 1/4" (591)

**TYPE 9A, 9B, 14, 17**

slot quanti	W = Nom. Duct Width			
	SDS50	SDS75	SDS100	SDS150
1	1 3/8" (35)	1 5/8" (41)	1 7/8" (48)	2 3/8" (60)
2	2 5/8" (67)	3 1/8" (79)	3 5/8" (92)	4 5/8" (117)
3	3 7/8" (98)	4 5/8" (117)	5 3/8" (137)	6 7/8" (175)
4	5 1/8" (130)	6 1/8" (156)	7 1/8" (181)	9 1/8" (232)
5	6 3/8" (162)	7 5/8" (194)	8 7/8" (225)	11 3/8" (289)
6	7 5/8" (194)	9 1/8" (232)	10 5/8" (270)	13 5/8" (346)
7	8 7/8" (225)	10 5/8" (270)	12 3/8" (314)	15 7/8" (403)
8	10 1/8" (257)	12 1/8" (308)	14 1/8" (359)	18 1/8" (460)
9	11 3/8" (289)	13 5/8" (346)	15 7/8" (403)	20 3/8" (518)
10	12 5/8" (321)	15 1/8" (384)	17 5/8" (448)	22 5/8" (575)

ALL METRIC DIMENSIONS ( ) ARE SOFT CONVERTED. IMPERIAL DIMENSIONS ARE CONVERTED TO METRIC AND ROUNDED TO THE NEAREST MILLIMETER.

<b>PROJECT:</b>		
<b>ENGINEER:</b>		
<b>CUSTOMER:</b>		 222056
<b>SUBMITTAL DATE:</b>		2016/06/30
<b>SPEC. SYMBOL:</b>		<b>MC-SDS</b> MITRED CORNER ASSEMBLY MC90, MC135 FPR SDS/SDR DIFFUSERS